

fa iseled starterkit

Starter kit with flexible LED strips and LIN functionality

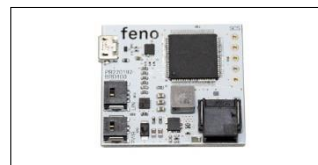
An evaluation hardware set for conceiving, developing, designing and demonstrating dynamic lighting effects and integrating ISELED LEDs. Two flexible LED strips with 16 ISELED LEDs and the included LIN control unit are connected via a quick connect plug.



Properties

- control board controllable via LIN and USB-C
- LED control via ISELED bus enables dynamic lighting functions
- integrated power supply via included 230 V power adapter
- Innovative design requiring minimal installation space for efficient and successful prototype integration
- 4 preprogrammed lighting sequences; more can be created with feno control (free download)
- reverse polarity protected, space saving connections
- integrated temperature compensation of red LEDs for constant brightness
- LED strips can be shortened individually

Combinable with the following feno Products



fia line hub lin



fea line rgb ised

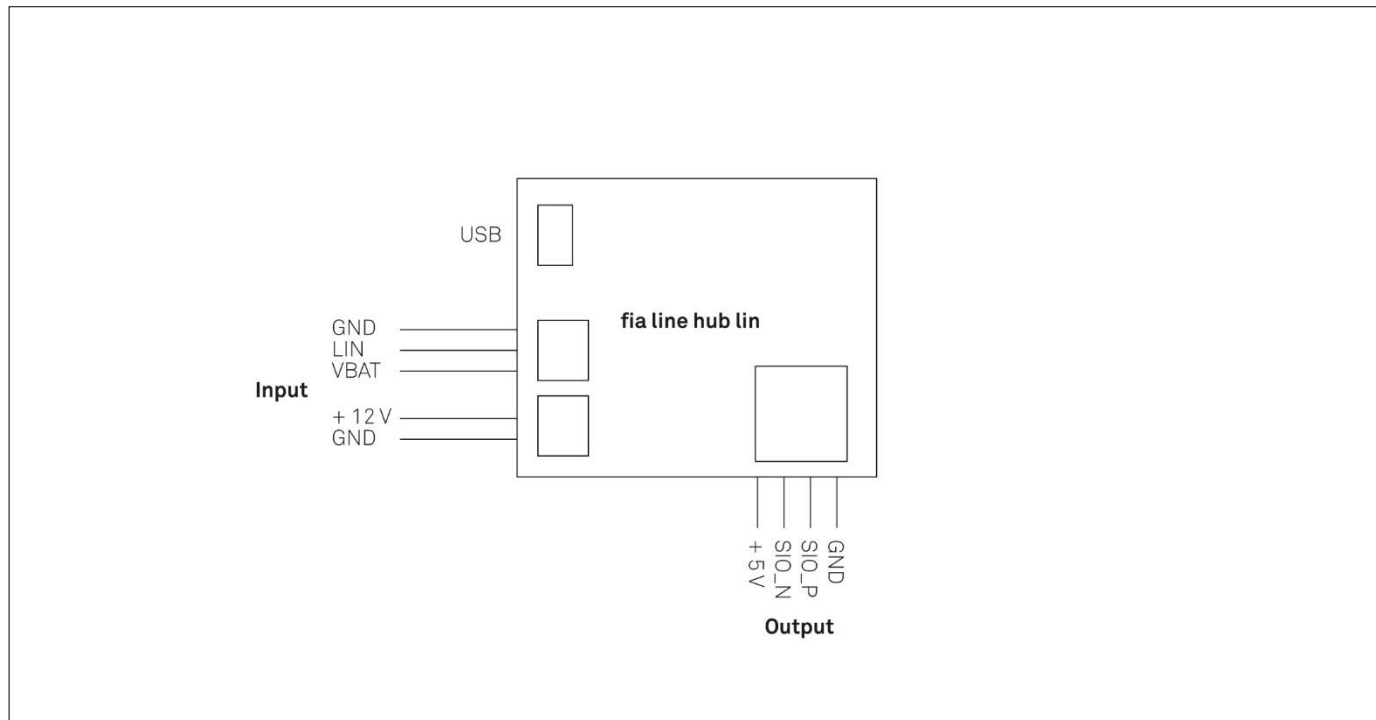
Ordering Information

Product name	fa iseled starterkit
Item number	0000 6262

fa iseled starterkit

Starter kit with flexible LED strips and LIN functionality

Wiring Diagram for the Control Board



Technical Details

Supply voltage	230 V (with power adapter)
Power consumption	780 mA (with 2 LED strips)
Light colours	RGB
Number of LED	32 (16 per LED strip)
Connection	Europlug (230 V)
Dimming	8-bit resolution
PWM frequency	489 Hz
Dimensions (L/W/H)	315/14/6 mm (LED strips, including plug)
Lighting sequences	4 preprogrammed (RGBW); more can be created with feno control (free download)
Lighting sequences properties	11 frames per second, max. 48 pixels, max. 30 seconds

Additional Information

Additional information about ISELED can be found at www.iseled.com



feno control software can be downloaded at www.feno.com

