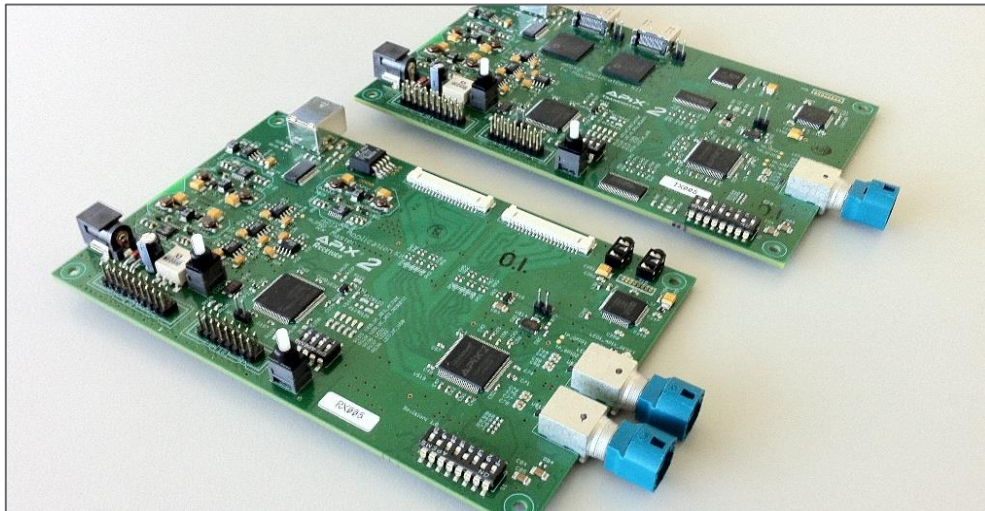


# INAP375T, INAP375R APIX2 Demonstration Kit

## FEATURES

- HD 720p video resolution
- Two independent video streams
- Full duplex data communication
- CRC protected data transfer (AShell)
- Ethernet support
- Daisy chaining support
- Power over APIX



APIX2 DEMONSTRATION KIT

## APPLICATIONS

- Central Information Displays
- Instrument Clusters
- Rear-Seat Infotainment Systems
- Head-Up Displays
- Lane Departure Warning
- Occupancy Detection
- Sign Recognition Camera
- Blind Spot Detection
- Round View Systems
- Rear View Camera



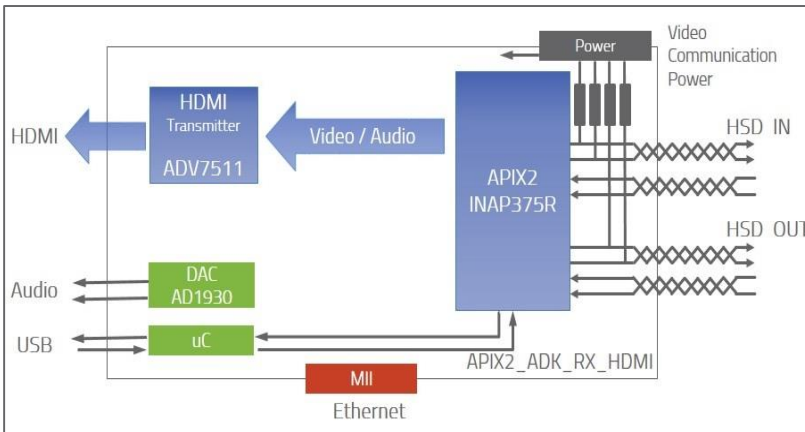
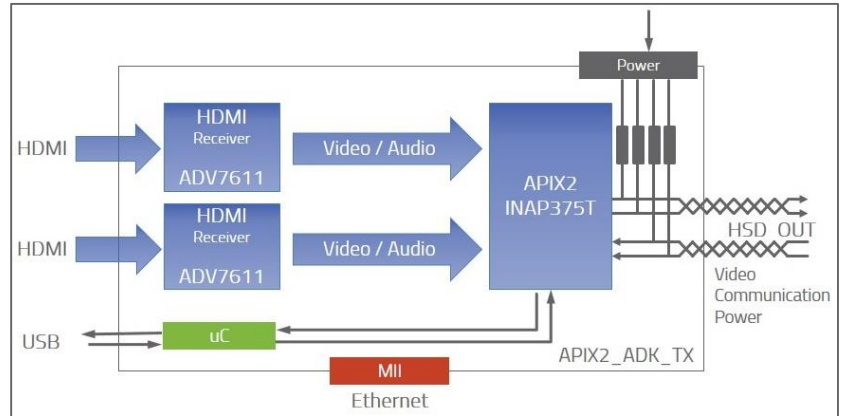
FAST DATA TRANSMISSION FOR INFOTAINMENT AND ADVANCED DRIVER ASSISTANCE SYSTEMS

**SPEED UP YOUR DATA.**

### TRANSMITTER BOARD

- Video Resolution: up to 720p and 1600 × 600 Automotive Display
- Video Interfaces: 2 × HDMI/DVI
- USB interface to PC
- HSD Connector

**PART NUMBER:**  
APIX2\_ADK\_TX



### RECEIVER BOARD

- Video Resolutions: up to 720p and 1600 × 600 Automotive Display
- Video Interfaces: 1 × HDMI or optional
- 2 × openLDI/LVDS
- USB Interface to PC
- HSD Connector
- Daisy Chain Support
- Prepared for Power over APIX Link (PoA)

**PART NUMBER:** APIX2\_ADK\_RX\_HDMI  
APIX2\_ADK\_RX (LVDS OUTPUT)

### ETHERNET BOARD

- Extender with 100Mbit Port switch and 2 RJ45 Ethernet Connectors

**PART NUMBER:** APIX2\_ADK\_ETH

### EXTENDER BOARD

- Extender with PIN Headers for full access to INAP375x devices

**PART NUMBER:**  
APIX2\_ADK\_TX\_EXT  
APIX2\_ADK\_RX\_EXT

### SET CONTENT

- Transmitter or Receiver Board
- Power Supply, 5m STP cable (HSD)
- 2m USB cable
- Schematics, Layout, Documentation
- APICO Software

SCHNELLE DATENÜBERTRAGUNG FÜR INFOTAINMENT UND FAHRERASSISTENZSYSTEME