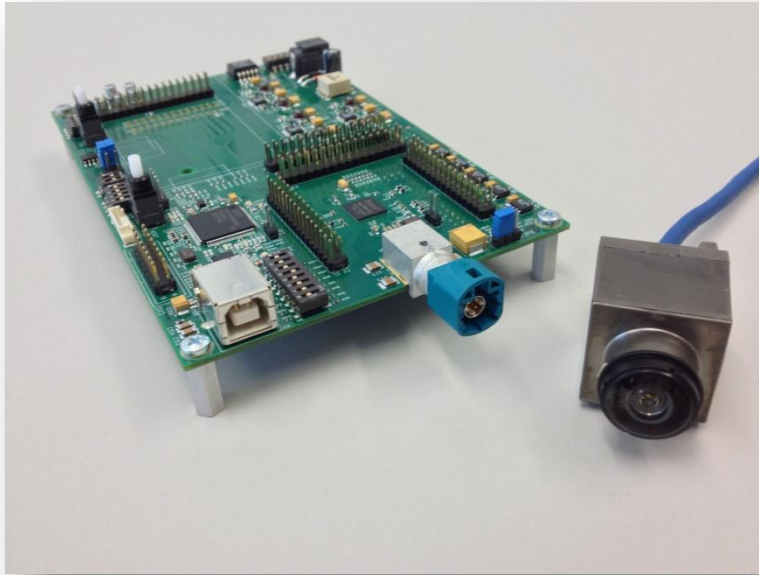


APIX2 Camera Kit With Megapixel Imager



Applications

- Lane departure warning
- Occupancy detection
- Sign recognition camera
- Blind spot detection
- Round view systems
- Rear view camera

SMS Camera Module with

Omnivision or Aptina Imager

APIX2 receiver board with USB PC interface

Supports Omnivision or Aptina Tool Set

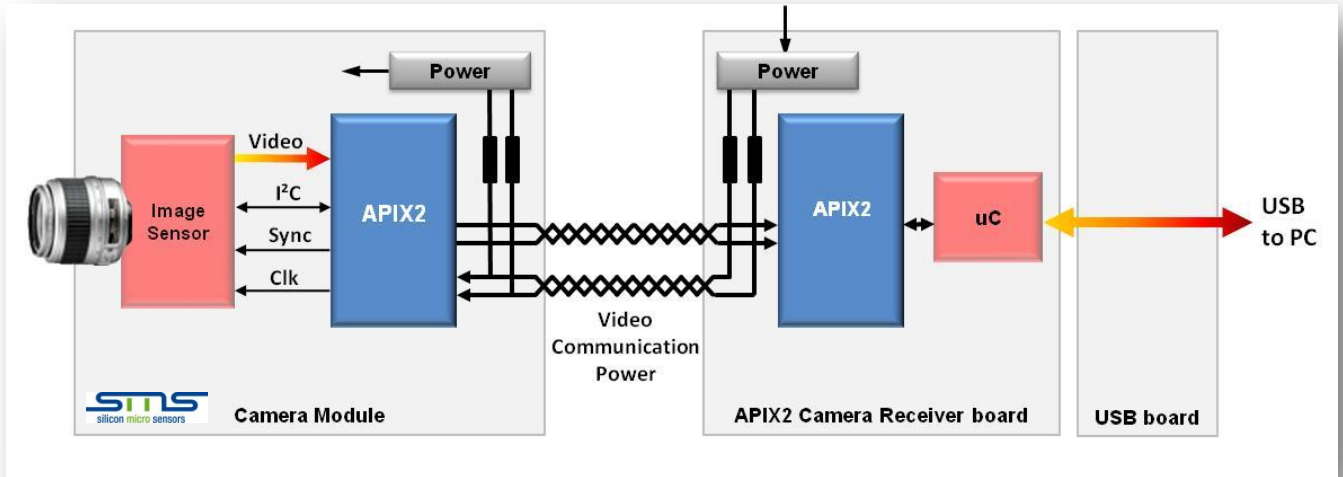
Full remote control over APIX Link

Full duplex communication

CRC protected data transfer (AShell)

Power over APIX





Camera Module:

- SMS Automotive Camera Module
- Omnivision OVT10630/10635 Megapixel Imager
- Aptina AR0132 Megapixel Imager
- APIX2 Transmitter
- HSD Connector
- Power supply over APIX Link (PoA)
- 24 mm x 24 mm

Receiver Board:

- APIX2 Receiver
- USB to PC
- 160mm x 100mm

Set content:

- SMS Automotive Camera Module
- APIX2 Camera Receiver Board
- Omnivision USB base board
- 5m STP cable with HSD Connectors
- 2m USB cable
- Schematics & Layout
- Documentation
- CD with Inova and
 - Omnivision SW (OVTAtool)
 - Aptina SW (DevSuite)

Part Number:

APIX2_CEK_OVT (Omnivision)
APIX2_CEK_APT (Aptina)